

Service Bulletin: 15/07/2014	#SB140715
Product:	Connection to Speedlight V2 Digital I/O
Issue:	Nil
Reasoning:	Speedlight V2 gates have two auxillary connectors for attachment external devices.

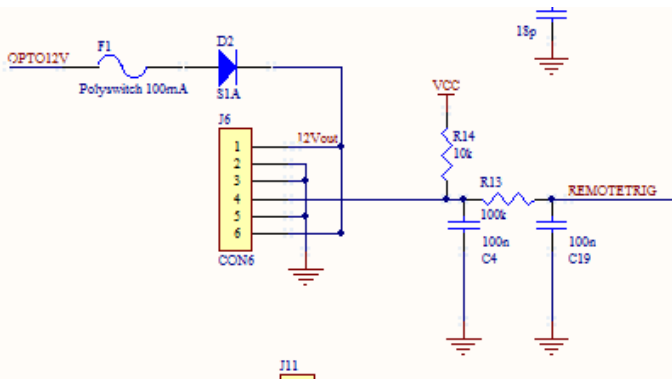
DIGITAL INPUT

The lower of these two connection sockets is a 6P6C RJ12 connector. Pin 1 is at the bottom of the connector when looking at the front of the gate

The circuit below shows the internal connection. To Activate this input Pin 4 should be pulled to GND.

It should be noted that this input is not generally active in system operation. If there is a requirement to activate this function, Simply connect a Swift wired gate in the test designer. This will activate this input.

It is also possible to 'trick' the system into activating this input by selecting by creating a jump test with a wired mat. As a wired mat is normally connected by a Timing gate and the digital input, this also activates the input.



DIGITAL OUTPUT

The upper of these two connection sockets is a 4P4C RJ11 connector. Pin 1 is at the bottom of the connector when looking at the front of the gate

The circuit below shows the internal connection. It should be noted that this is effectively an 'Open Collector output on PIN 3 , and connection to other devices will require a 'pullup resistor' to a logic '1' level externally with a 10K resistor.

